



IronNav

System for Autonomous Flight in GNSS-Denied Environments



- **Flies Any Drone**
Seamless integration with rotary- or FPV, VTOL
- **Anti-Jamming Layer (infiniDome)**
Protects GPS signals in real time, ensuring resiliency when GNSS is available
- **Mission-Critical Autonomy**
End-to-end autonomous guidance, navigation & landing for mission-critical operations
- **GNSS-Independent Operation**
Autonomous navigation and landing without GNSS or external operators
- **Visual navigation – No Maps**
Vision-based positioning and guidance, map-free
- **GPS Availability Voting**
Smart assessment of GPS reliability, with seamless fallback to optical navigation

Optional upgrades:

- **Precision Takeoff & Landing**
Safe, GNSS-Free landing
On-the-move, and Maritime

The joint solution by Wonder Robotics and infiniDome combines the power of OptiPilot – a mission-critical autonomous guidance, navigation, and landing pod – with battle-proven GNSS anti-jamming protection.

This synergy ensures uninterrupted autonomous operation in the most challenging environments, where GNSS interference or denial would otherwise cripple mission continuity.



IronNav



Aura



LightHouse



SunStone



Resilient Navigation System

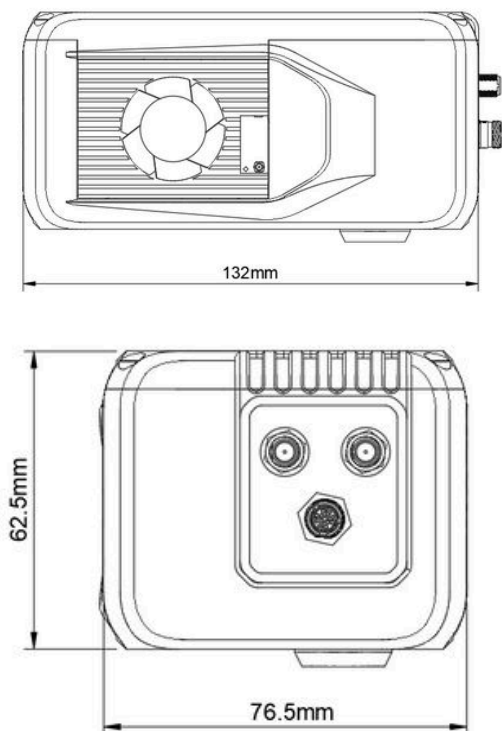


R-Navigation AIO

Product Specifications

Measurements	Weight	Interfaces	
132 x 62.5 x 76.5mm 5.19" x 2.46" x 3.01"	400g (0.88 lb)	Power <ul style="list-style-type: none"> Red wire: 7-32 vdc Black wire: GND 	RF Connectors <ul style="list-style-type: none"> 2 x SMA Female 50Ω 2.7-14VDC Max 40mA per connector 15dB -40dB gain
Protected Bands	GNSS Protection	Communication	
L1/E1 + L2 L1/E1 + G1	Advanced Null-Steering Anti-Jamming (infiniDome)	<ul style="list-style-type: none"> Orange wire: UART RX Yellow wire: UART TX 	
Input Voltage	Optical Sensor	Field of View	Performance
7-32 VDC	Vis/Thermal/LRF	∠ 90-110° deg	<ul style="list-style-type: none"> Distance error Deviation: ~2-5% Operational form 0 alt
Combability			Mounting interface
Any MAVLink compatible flight controller			4 x M3 bolts (Not Supplied)

Product Dimensions



infiniDome, Ltd

7 Ha'eshel St. Industrial Park (South), Caesarea 3079504, Israel

info@infinidome.com