

Features

- Small form factor: <99x95x56mm, 500g
- Supporting 2-4 elements (antennas)
- Up to 3 null attenuation in each frequency (number of antennas -1)
- Null steering technology in minimal package
- Average power consumption < 9W
- Peak power consumption: < 16W
- IP65, -40°C to +71°C
- Protected frequencies (either):
 - GPS L1/Galileo E1 + GPS L2
 - GPS L1/Galileo E1 + GLONASS G1
- Anti-Jam performance > 92dB J/S
- Latency: ~100ns (constant)
- Insertion loss: 6dB
- Intel gathering capabilities
- Compatible with most off-the-shelf active GNSS antennas
- Antennas arranged in optimal position (>10cm apart)

*Measured using u-blox F9P receiver.

**Actual performance for specific threat environment varies and is classified.

GPSdome2: GNSS Multi-Band 4-Element Anti-Jammer

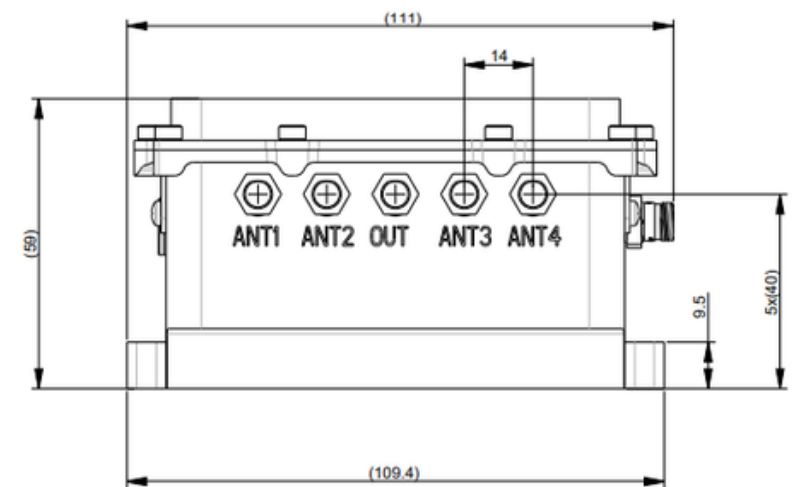
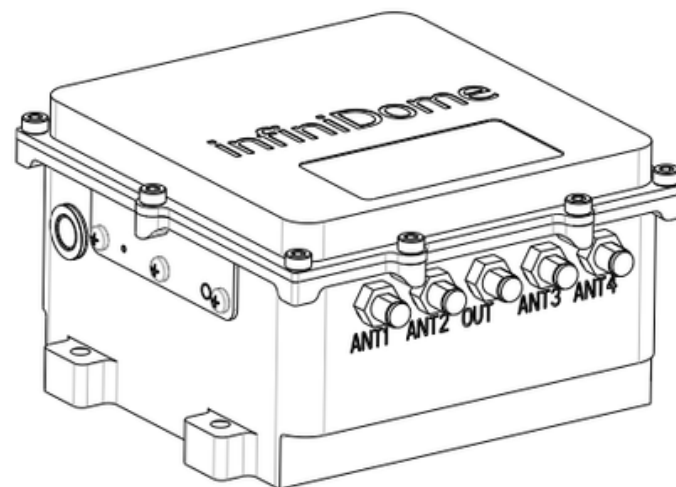
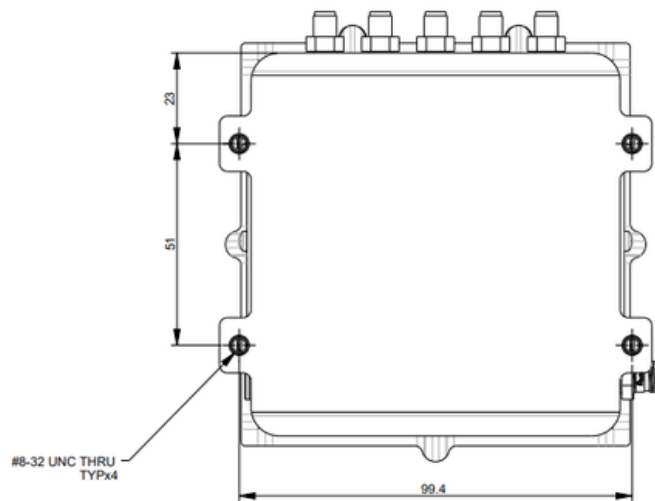


GPSdome2 provides protection against GPS jamming, ensuring continuity of autonomous navigation and operation during jamming conditions. No other solution that offers such protection is as small, light, affordable, retrofit or as easily installed as GPSdome2.

Small • Simple • Flexible • Retrofit



Product Dimensions



Product Specifications

Physical	
Dimensions	99.4 x 95.7 x 56mm, (excluding mounting lugs)
Weight	500g
Mounting	4 x 8-32 bolts (not supplied)

Environmental	
Operating Temperature Range	-40°C to 71°C
Waterproof Rating	IP65

EPS Product Wire	
Red	Power supply positive terminal (6vdc-32vdc)
Black	Power supply negative terminal
Purple	Dry contact jamming indication – positive terminal
Green	Dry contact –jamming indication – negative terminal
Orange	UART RX UART TX UART GND
Yellow	
Blue	

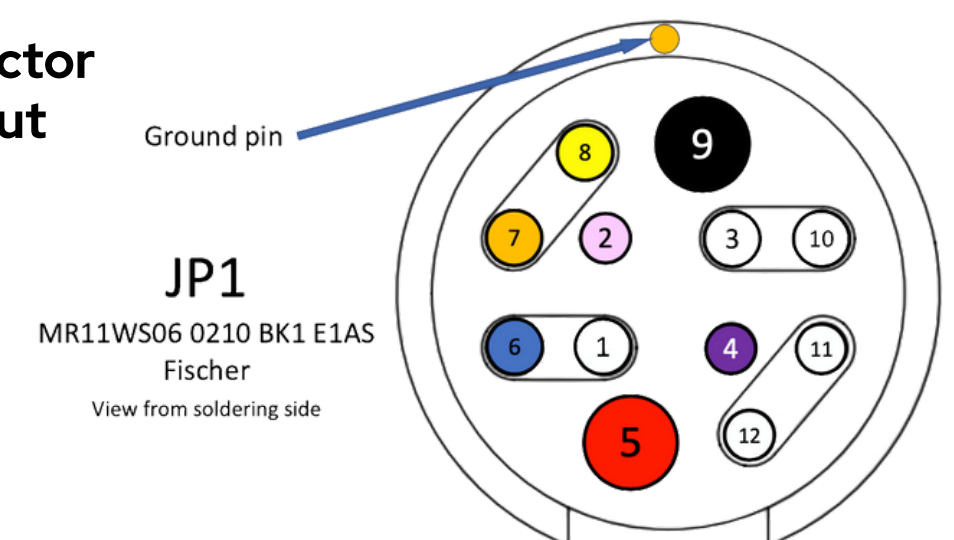
RF Interfaces	
Antenna Connectors	50Ω SMA 2.5VDC-5VDC (Active antenna with gain range between 26dB to 32dB)
Receiver Connector (R)	50Ω SMA

Performance	
Protected Signal	L1/E1 + L2 L1/E1 + G1
Latency	~100ns
Compression Point	P1dB -25dBm
Insertion Loss	6dB

LED Indication	
Constant Red	System Error
Flashing Red	System Initialization
Constant Green	System Operating (no jamming detected)
Alternating Between Orange and Green	System Operating (jamming detected)

Safety & Compliance	
RoHS Compliant	
CE Compliant	
FCC Compliant	
Optional Connector	
MR11WS06 0210 BK1 E1AP 1	
5VDC – 32VDC	Pin 5
GND	Pin 9
Dry contact	Dry contact – pin 2 Dry contact + 4
UART (3.3V)	RX Pin 7 TX Pin 8 GND Pin 6

Connector Pinout



Ordering Information

GPSdome2 — **X** **X** — **X** — **X** **X** — **X**

Protected frequency: 11 – GPS L1 2 – GPS L2 3 – GPS L5 4 – GLONASS G1	Connector/Cable C – connector E – external cable	Passthrough frequency (optional): 0 – null 1 – GPS L1 2 – GPS L2 3 – GPS L5 4 – GLONASS G1	Receiver (optional) 1 – ublox M8N 2 – ublox F9P
--	---	--	--

